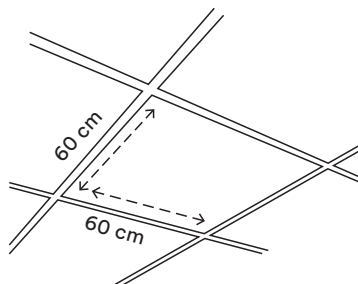


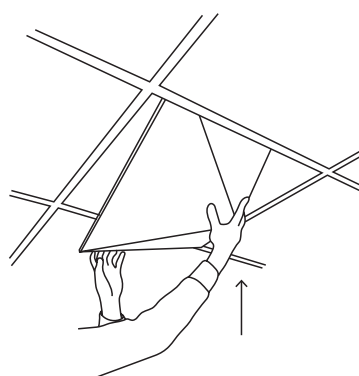
# SPIEGEL PANELS

BY VERNER PANTON

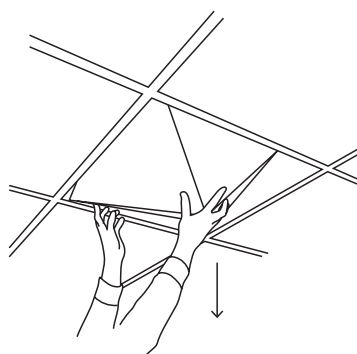
1



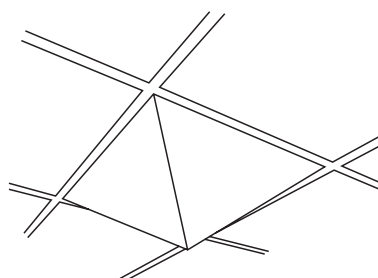
2



3



4



## Important information to ensure good installation results

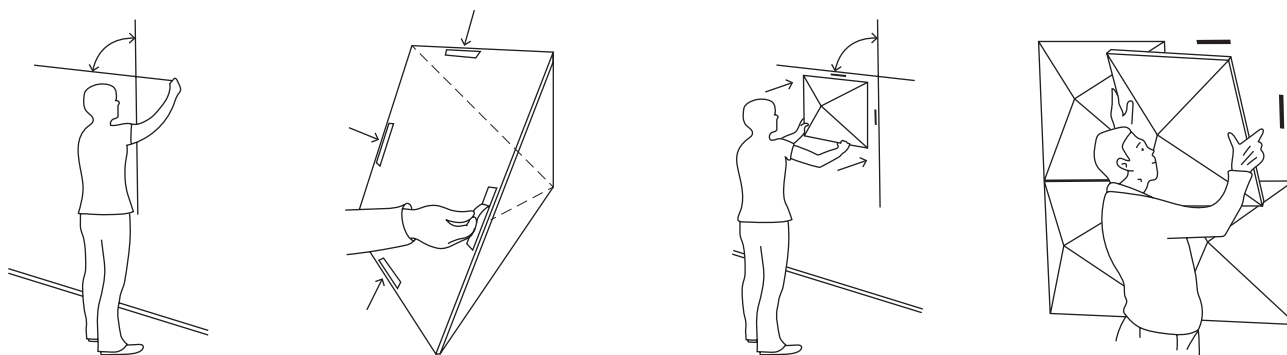
- All walls must be dry (at least 1 week after painting) and clean before attaching the Velcro.
- No wet or dry chemicals may be present on the wall surface.
- Exterior-facing walls are not recommended if they are damp or cold.
- Walls that are old or affected by nicotine should be carefully cleaned or repainted before installation.
- The adhesive on the Velcro can be damaged by silicone-based products, hand lotions, etc. Do not touch the adhesive during installation.
- For brick walls or very uneven surfaces, a flat backing material must be installed before mounting the panels.
- If the wall surface is uneven, a staple gun may be used. Fix the Velcro to the wall using two staples per Velcro attachment.
- Avoid exposure to high temperatures from lighting or heating systems, as this may cause the adhesive to soften.
- Dedicated Spiegel Panels can be integrated into standard 600 × 600 mm suspended ceiling systems.
- For the best visual result, it is highly recommended that the joints between the panels are colour-matched to the panels.

## Care Instructions

- If the panels become dusty, use a soft brush. Brush gently from top to bottom for best results.
- A vacuum cleaner with an upholstery nozzle or soft brush attachment may also be used. Set the vacuum cleaner to low suction to avoid damaging the surface.
- If the panels become stained, we recommend contacting a professional cleaning company.

## Five steps for a successful installation

1. Read the installation instructions (included in each box) and plan the layout before starting installation. Removing and reapplying the Velcro may damage the adhesive. Replacement Velcro can be ordered if needed.
2. Each panel has four Velcro attachment points. It is important that each point is firmly pressed during installation. Apply pressure by hand for at least 10 seconds per point.
3. For optimal results, attach the Velcro to the wall first and press firmly before mounting the panels.
4. Start installation from the centre of a horizontal line. Using a laser level is recommended for precise alignment.
5. After installing all panels, check that all Velcro attachments adhere properly to the wall. If necessary, apply pressure for a longer time until fully secured.



Good luck with your new Spiegel Panels — and enjoy the improved acoustic comfort in your space.